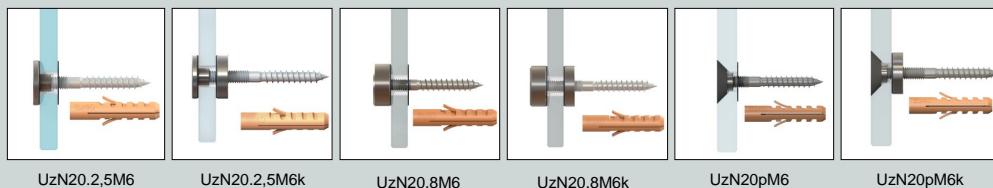




M j , biroj , publiskajās telp s , r .

Indoors, in the Office, in the public areas, in the open.



UzN20.2,5M6

UzN20.2,5M6k

UzN20.8M6

UzN20.8M6k

UzN20pM6

UzN20pM6k

UzN20

Torx15,

( - 15 . - 10 . )

## UzN20

– tur t j u s rija ar pamata izm ru 20 mm,  
paredz ta stiklam ar biezumu 5 –12 mm.

– 20 , 5 –12

– a series of holders with a base size of  
20 mm, for glass thickness of 5 –12 mm.

UzN20 tur t js auj ekonomiski un droši nostiprin t stikla vai jebkuru citu plakānu paneli uz koka , ipša, betona virsmas jebkur poz cij . Uzgriež a priekš j virsma ir dekoratīva. Izgatavots no ner s j oš t rauda. Bl ves ir gumijas, skr ve ir t rauda, cinkota. Skr vi ieskr v t ar Torx15 gala atsl gu vai ar akl uzgriež a pal dz bu. Tur t ja pie aujam slodze (š rsvirzien – l dz 15 kg., aksi li – l dz 10 kg.) ir ierobežota ar stiprin juma stipr bu pamatn (vislab k met l un beton ). ipša virsm m izmantojiet pašus plastmasas d be us, lai nodrošin tu liel ku stiprin juma uzticam bu. Sejas uzgriezni var pievilkt ar pirkstiem vai ar instrumentu ar apa m darba virsm m. Vid jo atbalsta uzgriezni var izmantot, lai regul tu pane a st vokli.

The holder UzN20 allows economical and reliable fixing of glass or any other flat panel on a wooden, plaster, concrete surface in any position. The front surface of the nut is decorative. Made of stainless steel. Seals are rubber, screw is steel, galvanized. Screw in the screw with a Torx15 end wrench or with the help of a blind nut. The permissible load of the holder (transversally – up to 15 kg., axially – up to 10 kg.) is limited by the strength of the fastening in the base (best in metal and concrete). For gypsum surfaces, use special plastic dowels to ensure greater reliability of the fastening. The face nut can be tightened with fingers or with a tool with round working surfaces. The middle support nut can be used to adjust the position of the panel.

M r is:

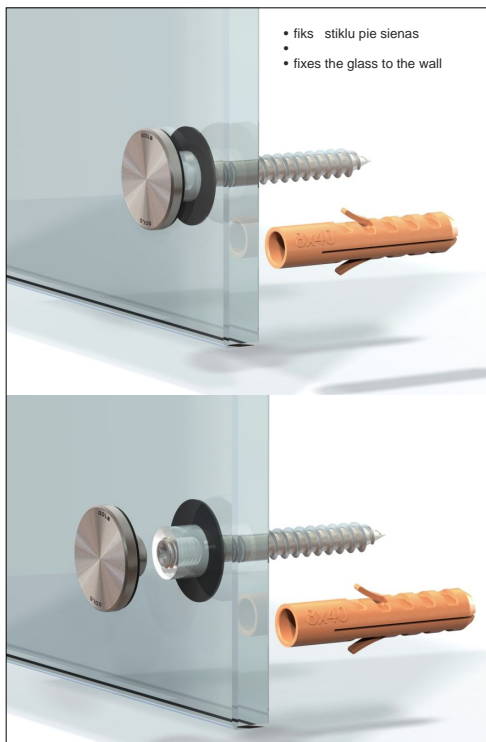
- pieliekam stikla fas de
- stikla vitr nas
- stikla nožogojumi

Applications:

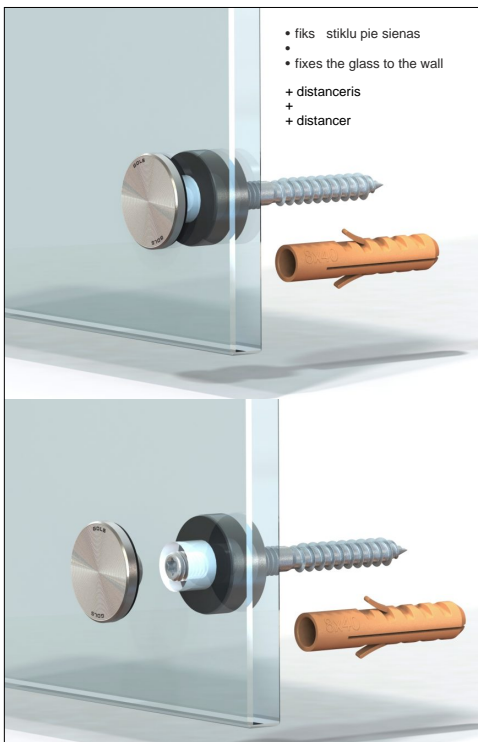
- overhead glass facade
- glass showcases
- glass furniture

10 gadi kvalitātes garantija  
-10  
10 years quality guarantee

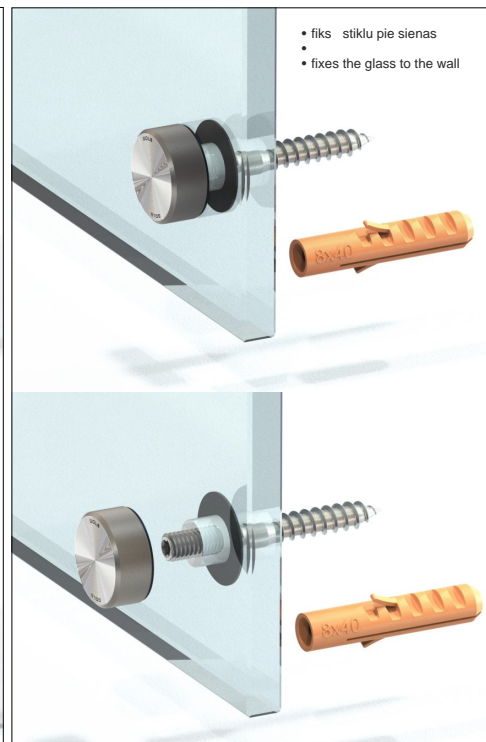
### UzN20.2,5M6



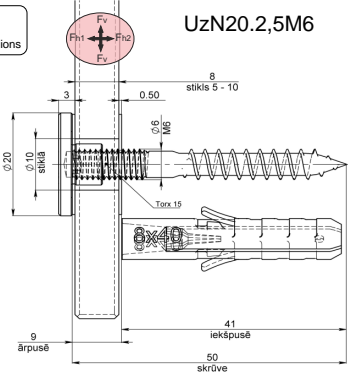
### UzN20.2,5M6k



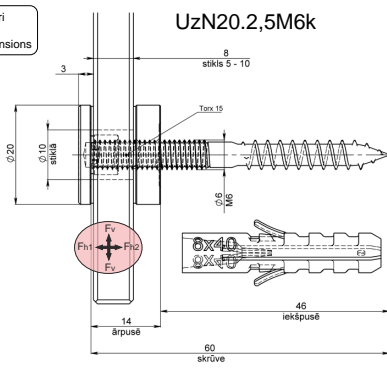
### UzN20.8M6



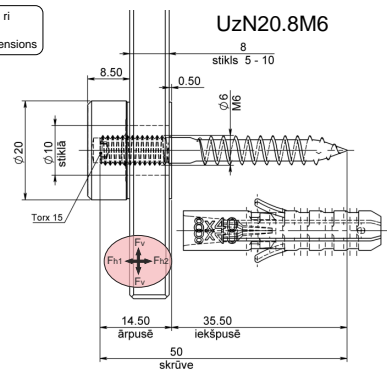
• izm ri  
• dimensions



• izm ri  
• dimensions



• izm ri  
• dimensions





# GOLS

tur t js  
holder

# UzN20

s ri ja  
series



stiklu fiks šanas sist mas  
glass fixing systems  
www.gols.lv  
gols@gols.lv +371 22841184

M j , biro j , publiskajās telp s , r .

Indoors, in the Office, in the public areas, in the open.

### M r is:

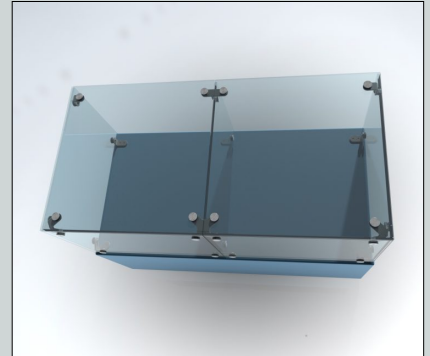
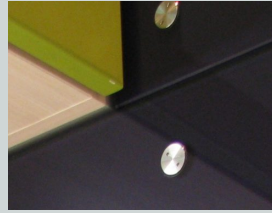
- pieliekam stikla fas de
- stikla vitr nas
- stikla nožogojumi

### Applications:

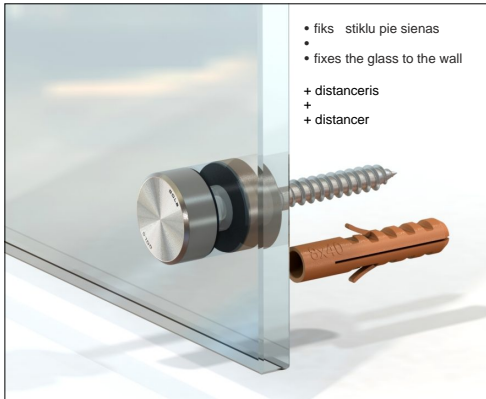
- overhead glass facade
- glass showcases
- glass furniture



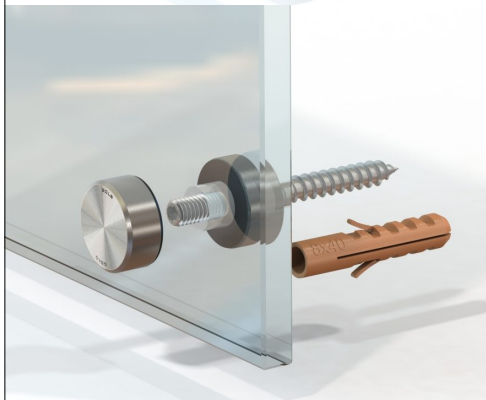
10 gadi kvalitātes garantija  
-10  
10 years quality guarantee



### UzN20.8M6k

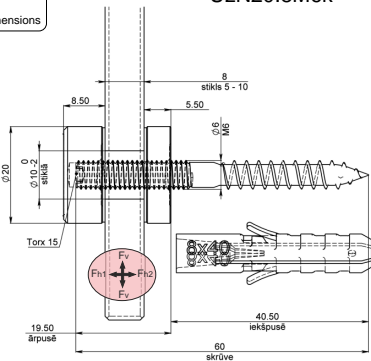


- fiks stiklu pie sienas
- fixes the glass to the wall
- + distanceris
- + distancer

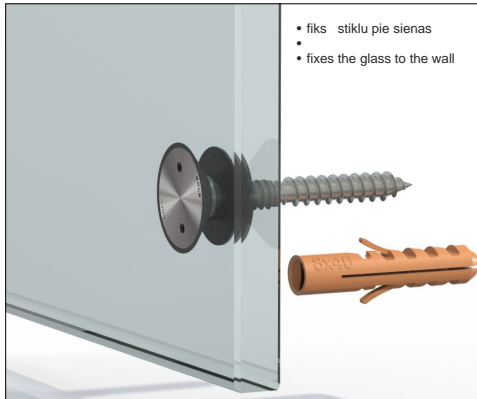


- izm ri
- dimensions

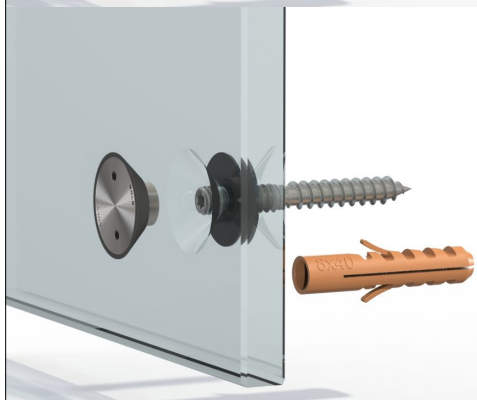
### UzN20.8M6k



### UzN20pM6

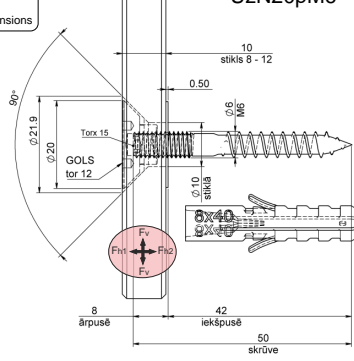


- fiks stiklu pie sienas
- fixes the glass to the wall

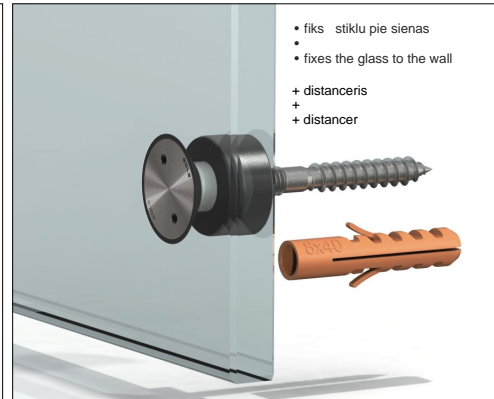


- izm ri
- dimensions

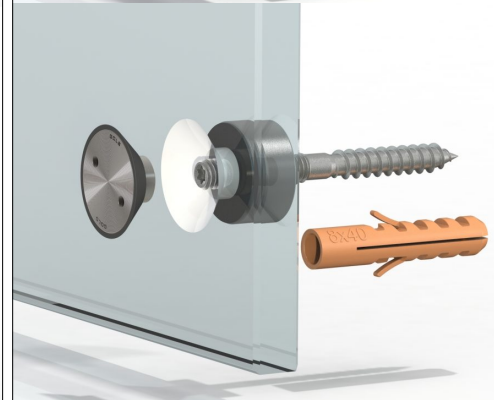
### UzN20pM6



### UzN20pM6k



- fiks stiklu pie sienas
- fixes the glass to the wall
- + distanceris
- + distancer



- izm ri
- dimensions

### UzN20pM6k

